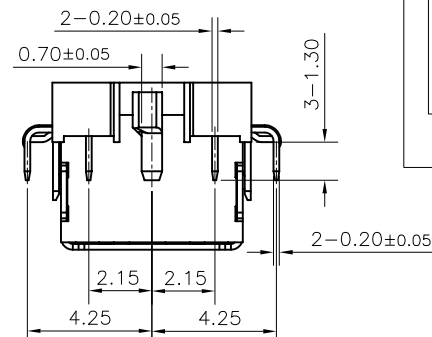
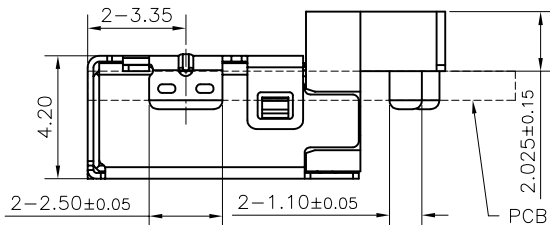
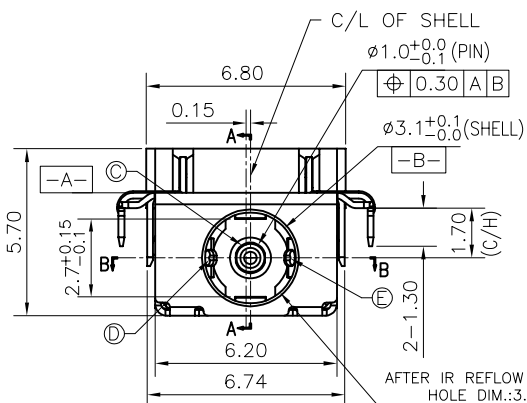


RECOMMENDED PCB LAYOUT (TOP VIEW)
(TOLERANCE=±0.05mm ; THICKNESS=1.0t)
(SHELL AND NEGATIVE ELECTRODE IN PCB LAYOUT MUST SHORT CIRCUIT)



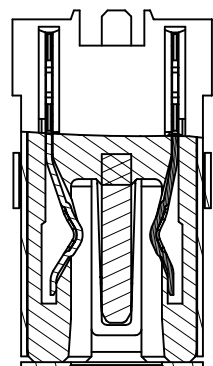
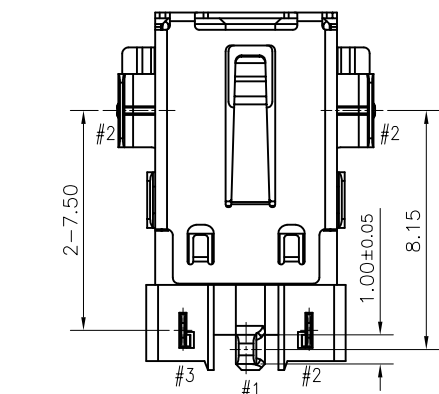
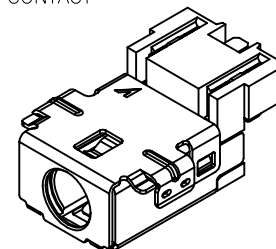
NOTES:

- MATERIAL:
SEE TABLE
- FINISH:
2.1 CONTACT:
40u" MIN. NICKEL PLATING OVERALL
60u" MIN. MATT TIN PLATING ON SOLDER TAIL
2: GOLD FLASH(0.5u" MIN.) PLATING ON CONTACT
2.2 SHELL:
50u" MIN. NICKEL PLATING OVERALL
- ELECTRICAL CHARACTERISTICS:
3-1.RATING: DC 20V 5A (OVER AMBIENT ΔT: 30°C MAX.)
3-2.CONTACT: RESISTANCE:20mΩ MAX.(INITIAL)
30mΩ MAX.(AFTER TEST)
3-3.DIELECTRIC WITHSTANDING VOLTAGE:500V AC FOR ONE MINUTE.
3-4.INSULATION RESISTANCE:100MΩ MIN. MEASURED BY 500V DC.
- MECHANICAL CHARACTERISTICS:
4.1 INSERTION FORCE: 1.2~2.7kg.(INITIAL) / 1.0~2.7kg.(AFTER LIFE TEST)
4.2 WITHDRAWAL FORCE: 1.0~2.7kg. (INITIAL & AFTER LIFE TEST)
- LIFT TEST: 5000 CYCLES.
- SPEC. PLS. REFER TO SPEC-30706-XXXXX-XXX
- PACKAGE PLS. REFER TO 30738-117XX-XXX-PCK
- PART NUMBER

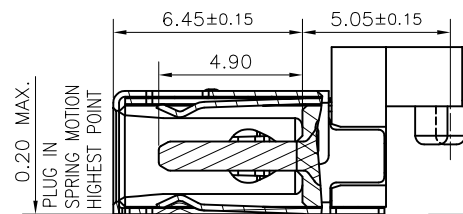
30738-117 X X-XXX
C/H: -1.7

	COLOR	HOUSING MATERIAL
001	BLACK	PA4T+30% G/F
002	BLUE(PANTONE 298C)	PA10T+30% G/F
006	YELLOW(PANTONE 123C)	PA10T+30% G/F

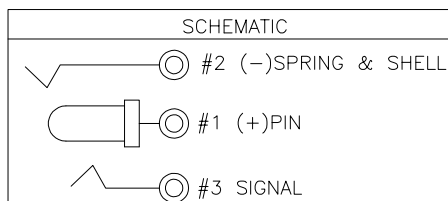
PLATING
2: GOLD FLASH ON CONTACT
PACKING
0: TAPE&REEL



SECTION B-B



SECTION A-A

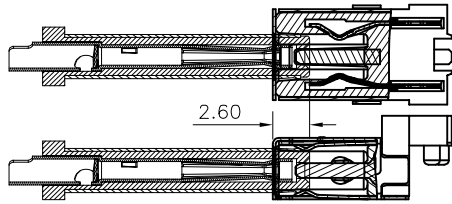


NO	DESCRIPTION	Q'TY	MATERIAL	PLATING & COLOR
E	SPRING (-)	1	COPPER ALLOY, 0.2T	GOLD FLASH
D	SIGNAL	1	COPPER ALLOY, 0.2T	GOLD FLASH
C	PIN (+)	1	COPPER ALLOY, 1.0T	GOLD FLASH
B	SHELL (-)	1	STAINLESS STEEL, 0.2T	NICKEL PLATED
A	HOUSING	1	SEE NOTES, UL94V-0	COLOR SEE NOTES

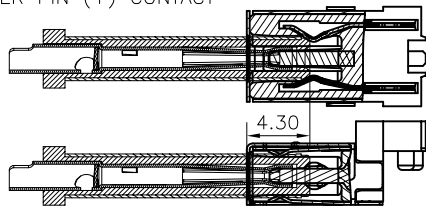
QUALITY SYMBOLS		DRAWN BY DATE		ACES ELECTRONICS	
MAJOR	⊕	Hsu, Wei Chun	20/08/20	TITLE	
CRITICAL	⊕	Chang, Chun Te	20/08/20		
GENERAL TOLERANCES (UNLESS SPECIFIED)		APPROVED BY DATE		3Ø DC POWER JACK(CH:-1.7)	
X	±0.5	Guo, Rong Xun	20/08/20		
.X	±0.25	UNITS		SIZE	DWG NO.
.XX	±0.15	mm	mm	A4	30738-117XX-XXX
.XXX	±0.1	SCALE	SHEET NO.	REV	PART NO.
ANGLES	±2°	4:1	1 OF 2	B	SEE NOTES



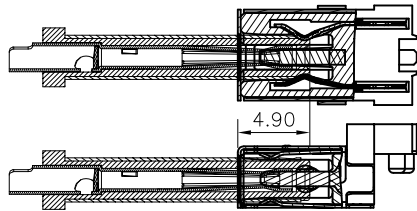
1. GROUND PIN (-) CONTACT



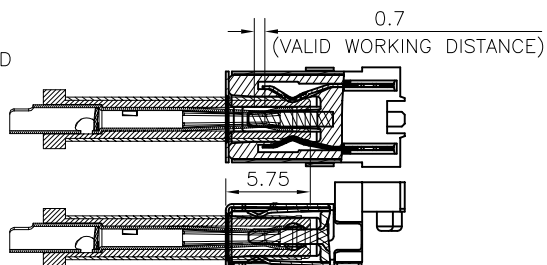
2. POWER PIN (+) CONTACT



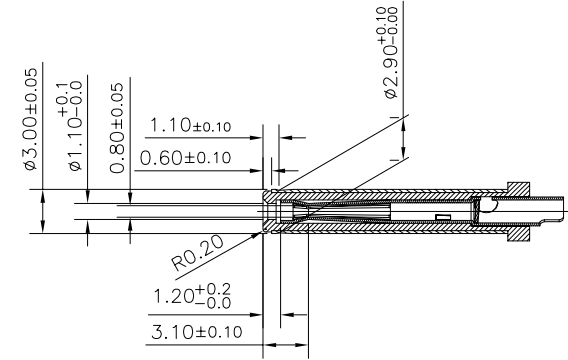
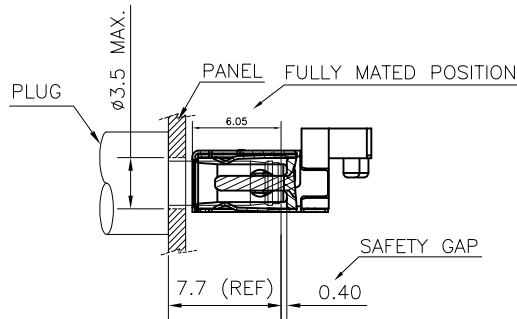
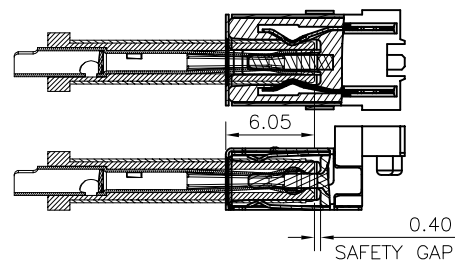
3. SIGNAL PIN CONTACT



4. LOCKED



5. FULLY MATED POSITION



以 $\phi 1.00$ 圓棒測試, 插拔力規格為300~600g

QUALITY SYMBOLS MAJOR CRITICAL	DRAWN BY Hsu, Wei Chun	DATE 20/08/20	
	CHECKED BY Chang, Chun Te	DATE 20/08/20	
GENERAL TOLERANCES (UNLESS SPECIFIED)	APPROVED BY Guo, Rong Xun		TITLE 3 ϕ DC POWER JACK(CH:1.7)
	X. ± 0.5 .X ± 0.25 .XX ± 0.15 .XXX ± 0.1 ANGLES $\pm 2^\circ$	UNITS mm	
	SCALE 2 : 1	SHEET NO. 2 OF 2	DWG NO. 30738-117XX-XXX
		REV B	PART NO. SEE NOTES